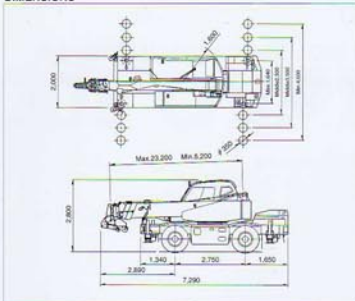
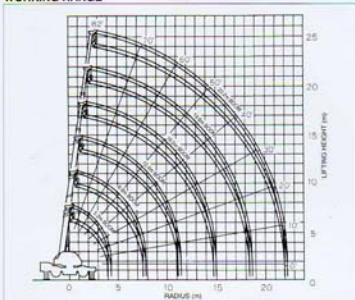


## DIMENSIONS



## WORKING RANGE



## RATED LIFTING CAPACITIES

ON OUTRIGGERS		Outriggers fully extended				3057	
C	R	8.8m	12.4m	16.0m	19.6m	23.2m	
1.0 m	10,000	4,900					
1.5 m	10,000	4,900	4,900				
2.0 m	10,000	4,900	4,900	4,900			
2.5 m	10,000	4,900	4,900	4,000	3,600		
3.0 m	8,000	4,900	4,900	4,000	3,900	2,900	
3.5 m	6,100	4,900	4,900	4,000	3,500	2,900	
4.0 m	5,400	4,900	4,900	4,000	3,500	2,900	
4.5 m	(3.9m)	4,900	4,365	3,900	3,500	2,900	
5.0 m		4,900	3,900	3,900	3,100	2,900	
5.5 m		3,800	3,455	3,150	2,900	2,900	
6.0 m		3,300	3,150	2,950	2,700	2,900	
7.0 m		2,750	2,550	2,380	2,300	1,800	
8.0 m		2,450	2,200	2,000	1,850	1,800	
9.0 m		(1.8m)	1,750	1,750	1,700	1,450	
10.0 m			1,380	1,550	1,500	1,300	
11.0 m			1,100	1,200	1,200	1,200	
12.0 m			1,080	1,080	1,130	1,100	
13.0 m				900	970	1,000	
14.0 m				750	830	860	
15.0 m				650	700	750	
16.0 m					600	660	
17.0 m					(14.7m)	590	
18.0 m						420	
19.0 m						400	
20.0 m						(18.3m)	350
21.0 m							280

A: Range of boom angle (without load)  
 B: Boom length  
 C: Working radius

## SPECIFICATIONS

MAXIMUM CAPACITY	10,000 kg at 2.5 m
TRAVELLING SPEED(MAX.)	49 km/h (computed)
GRADEABILITY(TAN #)	60% (computed)
MIN. TURNING RADIUS	2-wheel steering 6.9 m 4-wheel steering 3.9 m
BOOM	6-section full length power telescoping boom Length 5.2-23.2 m Extension speed Min.-Max in 54 sec. Elevation range/speed -2° to 82° in 30 sec.
MAIN WINCH	Grooved drum driven by hydraulic axial piston motor. Power load lowering and hoisting Single line pull 12.3 kN (1,250 kgf) Single line speed 114 m/min. (at the 5th layer) Wire rope spin-resistant type (127 mX10 mm)
AUXILIARY WINCH	Grooved drum driven by hydraulic axial piston motor. Power load lowering and hoisting Single line pull 13.7 kN (1,400 kgf) Single line speed 98 m/min. (at the 3rd layer) Wire rope spin-resistant type (55 mX10 mm)
SWING	A hydraulic piston motor driven through planetary swing speed reducer. Speed 2.8 rpm Tail swing radius 1.6 m
HYDRAULIC SYSTEM	Tandem gear pump for telescoping, elevating and winches. Tandem gear pump for swing, steering and accumulator. Circuit Equipped with air cooled type of cooler. Filter Return line filter
TADANO AUTOMATIC MOMENT LIMITER (MODEL: AML-L)	Main unit in crane cab: gives audible and visual warning of approach to overload. Automatically cuts out crane motions before overload. With working range limit function. Digital display on panel: Moment as percentage Boom angle Boom length Working radius Potential hook height Actual hook load Permissible load Outriggers condition Bar graphical display: Moment as percentage
OUTRIGGERS	4 hydraulically operated H-type outriggers. Each outrigger controlled simultaneously or independently from the cab.
Extension width	Max. 4,500 mm Middle 3,500 mm, 2,500 mm Min. 1,640 mm
ENGINE	Model: HHO WD4D-T Type 4 cycle, turbo charged, 4 cylinder in line, direct injection, water cooled diesel engine. Piston displacement 4,009 cm <sup>3</sup> Max output (JIS) 110 kW (150PS) at 3,000 rpm Max torque (JIS) 372 Nm (28 kgf-m) at 1,800 rpm
TRANSMISSION	Full automatic transmission Torque converter driving full powershift
STANDARD EQUIPMENTS	Pendant type over-winding cutout Winch automatic fail-safe brake Hook safety latch Sight level gauge AM/FM radio Cab floor mats Air dryer Central lubricating system
OPTIONAL EQUIPMENTS	Tool kit Fire extinguisher Drum rotation indicator Spring lock Non spin differential

(note) Front cover photo shows X-type of outriggers configuration, but H-type of outriggers is standard as mentioned in above specification data.

# TADANO TADANO ROUGH TERRAIN CRANE CREVO 100

TR-100ML 10 ton capacity



Continuing technical development requires Tadano to retain the right to make specification, equipment and price changes without notice.



**TADANO**

TADANO LTD.

4-12, Kamezawa 2-chome Sumida-ku, Tokyo 130-0014, Japan  
 Tel: 81-(0)3-3621-7750 / Fax: 81-(0)3-3621-7785

URL: <http://www.tadano.co.jp> E-mail: [tdninq@tadano.co.jp](mailto:tdninq@tadano.co.jp)