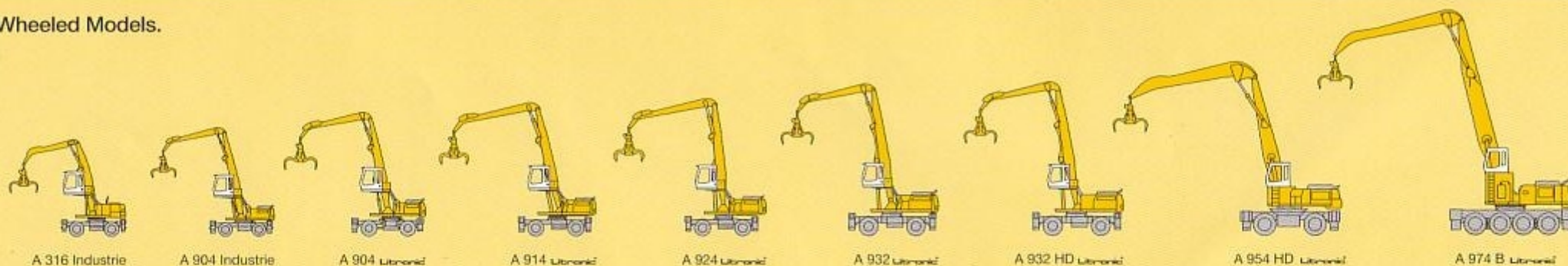
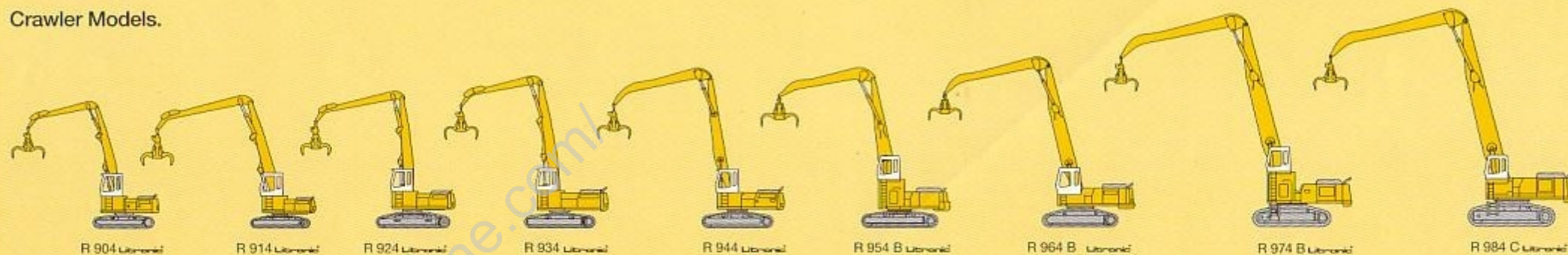


The Liebherr Material Handling Program.

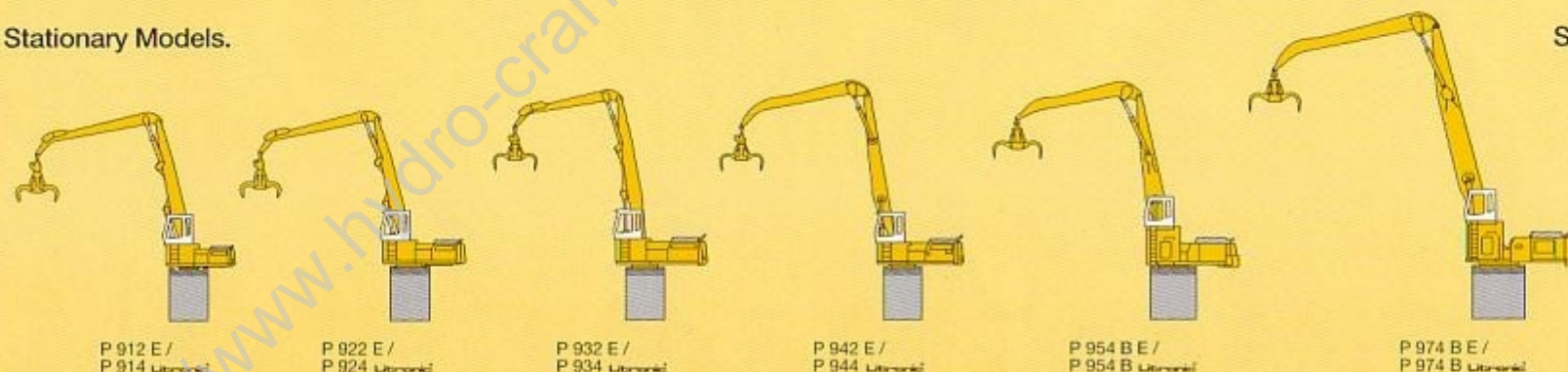
Wheeled Models.



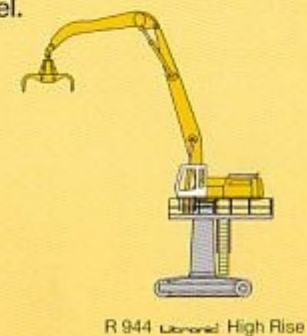
Crawler Models.



Stationary Models.



Specialty Model.



LIEBHERR